

Datasheet

E2 LED Edgelight





CAT. NO. 684730/LI, 684731/LI, 684733/LI, 684740/LI, 684741/LI, 684743/LI



684731/LI



684730/LI

Operating Mode	Maintained
Nominal Input Voltage	230 - 240 V a.c. 50 Hz
Power Consumption	3 W
Battery	Li-ion 6.4 V, 0.57 Ah
Inrush Current	5 A (peak)
Light Source Life (LSL)	100,000 hrs
IP Rating	IP20
IK Rating	IK05
Body Construction	Polycarbonate
Diffuser Construction	Acrylic
Product Weight	Surface Mount: 1.4 kg Recess Mount: 1.9 kg
Compliance	AS/NZS 2293, AS/NZS 60598
Product Marking	 

E2 LED Edgelight

CAT. NO. 684730/LI, 684731/LI, 684733/LI, 684740/LI, 684741/LI, 684743/LI



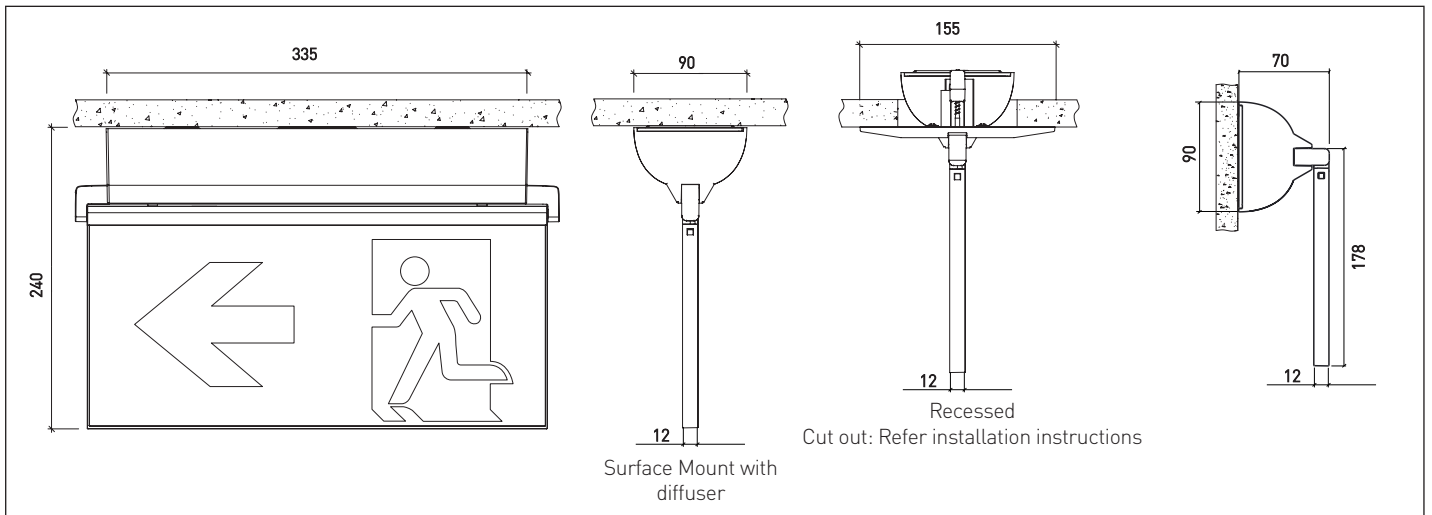
FEATURES

- SPU or Axiom wireless computer-monitored.
- All-in-one recessed and surface mounting versions for single and double-sided installation.
- iSmart™ temperature sensing technology for the Li-ion battery.
- Electronics designed to lengthen the life of the battery, minimising maintenance costs.
- Environmentally friendly battery.
- Designed and Manufactured in Australia.
- 5 Year Warranty.

Recessed		
Standalone	684730/LI	Maintained LED set of 3xRM Decals SS/DS - White - Li-ion
Axiom	684740/LI	Maintained LED set of 3xRM Decals SS/DS - White - Li-ion
Surface-Mounted		
Standalone	684731/LI	Maintained LED set of 3xRM Decals SS/DS - White - Li-ion
	684733/LI	Maintained LED set of 3xRM Decals SS/DS - Theatre - Li-ion
Axiom	684741/LI	Maintained LED set of 3xRM Decals SS/DS - White - Li-ion
	684743/LI	Maintained LED set of 3xRM Decals SS/DS - Theatre - Li-ion
Accessories		
	684737	E2 Surface Mounting Block Kit - White
	684738	E2 Recess Trim Kit - Black
	684739	E2 Surface Mounting Block Kit - Black
	686216	Wire suspension kit 2x6m
	686235	Wire guard for Wall Mount Exit Signs
	686236	Wire guard for Ceiling Mount Exit Signs
	686260	Suspension Rod Kit 600 mm - White
	686261	Suspension Rod Kit 1200 mm - White
	686262	Suspension Rod Kit 3000 mm - White
	686263	Suspension Rod Kit 600 mm - Black
	686264	Suspension Rod Kit 1200 mm - Black
	686265	Suspension Rod Kit 3000 mm - Black
	686270	Weatherproof IP65 Enclosure

DIMENSIONS

RM = Running Man, DS = Double-Sided, SS = Single-Sided



Note: All dimensions are in mm.

E2 LED Edgelight

CAT. NO. 684730/LI, 684731/LI, 684733/LI, 684740/LI, 684741/LI, 684743/LI



SPACING TABLE

Maximum spacing for 0.2 lux (Australia)

Classification	Maximum spacing between luminaries Mounting Height (metres)					
	2.1	2.4	2.7	3.0	3.3	3.6
C ₀ :E4	6.2	6.6	6.9	7.1	7.3	7.4
C ₉₀ :C20	8.9	9.4	9.9	10.3	10.7	11.1

As per AS/NZS 2293:2018

Maximum spacing for 1.0 lux (New Zealand)

Classification	Maximum spacing between luminaries Mounting Height (metres)					
	2.1	2.4	2.7	3.0	3.3	3.6
C ₀ :E4	0.0*	0.0*	0.0*	N/A	N/A	N/A
C ₉₀ :C20	5.4	5.6	5.7	5.8	5.8	5.8

As per AS/NZS 2293:2018

* - exit sign satisfies the requirement to illuminate the doorway or potential hazard, however without a spacing for this mounting height as per AS/NZS 2293.1:2018 clause 4.5.

Legrand Australia
1300 369 777
www.legrand.com.au
ABN 31 000 102 661

Legrand New Zealand
0800 476 009
www.legrand.co.nz

Refer to your group buying office, Legrand Sales Representative or Legrand Sales Office for pricing.

Please note: specifications are subject to change without prior notice.

